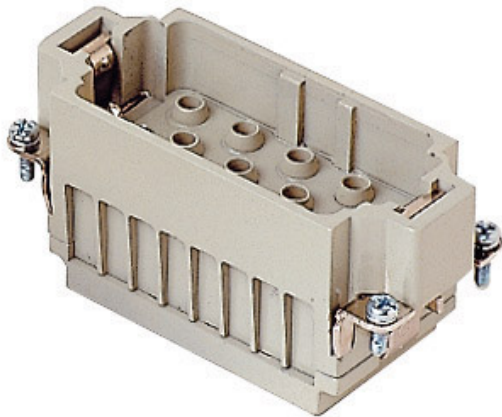


Part number

CXM 12/2



Brief description:

male insert, 12 poles + PE, crimp connections, 40A 690V, (2 poles (10A max - 250V/4kV/3)), 8kV, 3, for male contacts 40A and 10A, size "77.27", CLASS insert series

Product description

Model	male insert
Version	crimp connections
Series	CX
Product type	for male contacts 40A and 10A
Family	CLASS inserts
Size	size "77.27"
N. of poles	12 poles +
Auxiliary poles	2 poles (10A max - 250V/4kV/3)

Technical data

Current	40 A (A.C. and D.C.)
Voltage	690 V
Rated impulse withstand voltage	8kV
Pollution degree	3
Operating temperature range (min, max)	-40°C ... +125°C
Mating cycles	≥ 500
IP degree of protection	IP20 without enclosure; IP65/IP66/IP67/IP68 with enclosure

Further technical details

Characteristics according to EN 61984	40A 690V 8kV 3 (aux:10A 250V 4kV 3)
Insulation resistance	≥ 10 GΩ
Rated voltage according to UL/CSA	600V
UL 94 flammability rating	V-0
Weight	90,00 g

Approvals / Standards

Reference standard	EN 61984 (2001-11)
Quality mark	, EAC
Conformity	CQC, CE

General ordering information

EAN13 code	8015747042536
Tariff number	85369095
Country of origin	Made in EU (IT)
ETIM classification	EC000438

Packaging Information

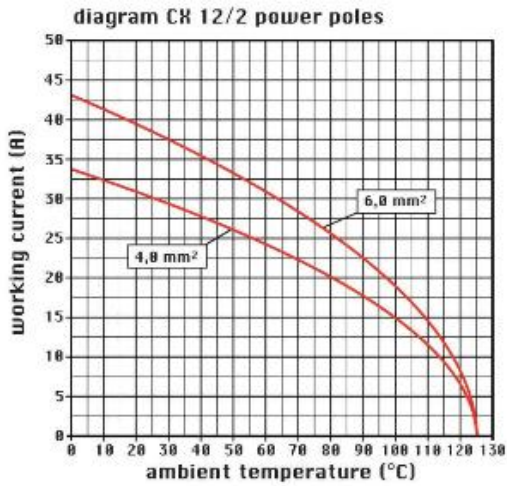
Packaging length	210,00 mm
Packaging height	130,00 mm
Packaging width	240,00 mm
Packaging weight	1,79 kg
Packaging volume	6,55 dm ³
Packaging description	Carton box
Packaging quantity	20 Pcs
Packaging EAN code	8015747098564
Sub-packaging weight	0,45 kg
Sub-packaging description	Carton
Sub-packaging quantity	5 Pcs
Sub-packaging EAN barcode	8015747042543

Part number

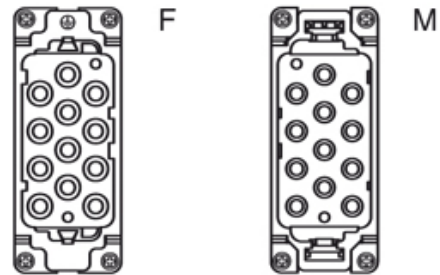
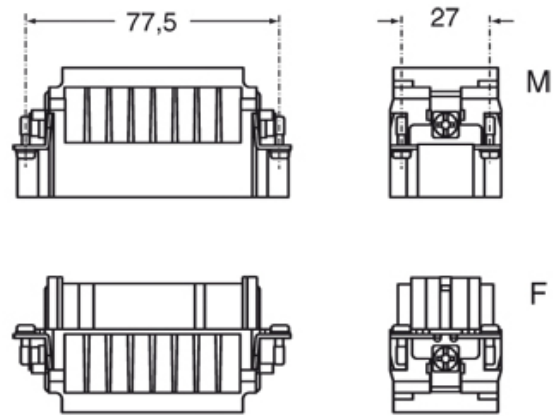
CXM 12/2



Catalogue drawings



Catalogue drawings



Notes

CX 12/2 inserts:

- characteristics according to EN 61984:
(40A 690V 8kV 3 600V)
- 2 Auxiliary contacts: (10A 250V 4kV 3)